



# HEADLIGHT INSTALLATION GUIDE

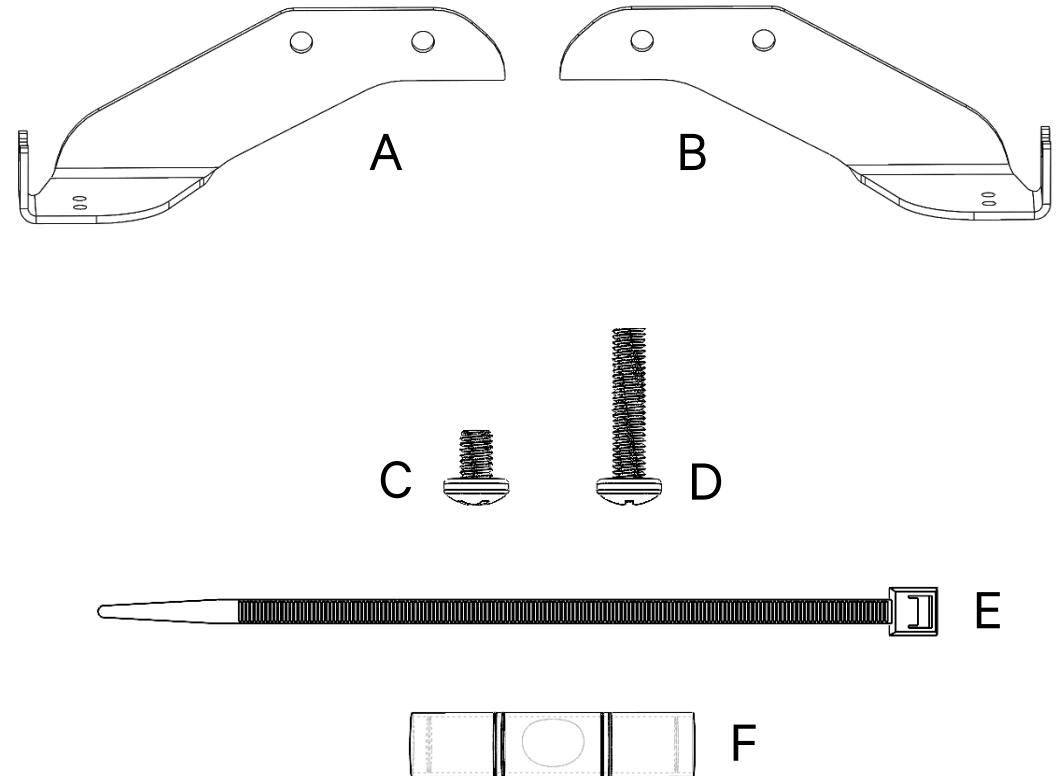
PERMOBIL F3 / F5

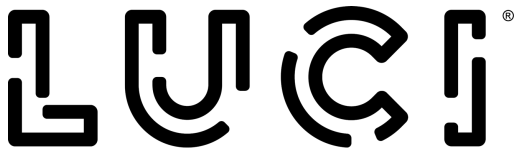
## PACKAGE CONTENTS

- A. P002-326-R Mounting Bracket (1)
- B. P002-326-L Mounting Bracket (1)
- C. M4-0.7 x 6mm Philips Head Screw (2)
- D. M4-0.7 x 20mm Philips Head Screw (4)
- E. Cable Tie (2)
- F. 35mm Mini Spirit Level (1)

### NOTE: You will also need:

- Philips P1 Screwdriver





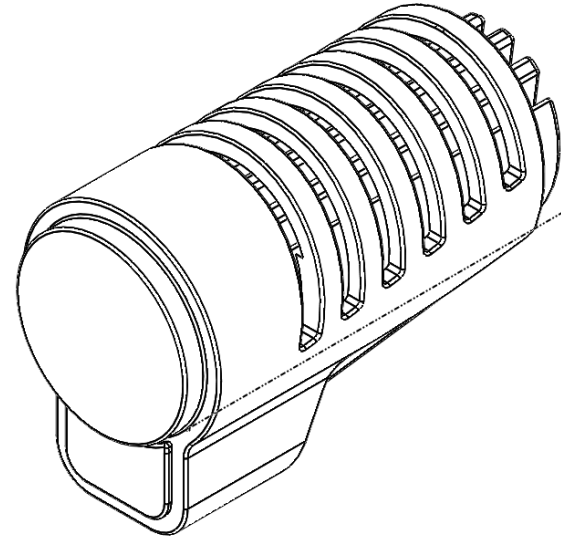
# HEADLIGHT INSTALLATION GUIDE

PERMOBIL F3 / F5

## STEP 1 – REMOVE HEADLIGHTS FROM ORIGINAL MOUNTS

### Tools Required

3mm Allen Wrench



If Permobil headlights are already installed on the wheelchair, remove the headlights from the factory brackets. There are several ways that the lights may be installed, see the wheelchair user guide and documentation for instructions on removing the lights. Later generation Permobil headlights use a multi-piece fixture mounted to the front suspension, with a secondary bracket holding the headlight to the larger, primary bracket. In this case, it may be easiest to leave the primary bracket in place and only remove the secondary bracket that is bolted directly to the headlight module since removing the primary bracket requires the removal of the tie-downs to access the bolts.

Using the 3mm Allen Wrench, remove the headlight module from the existing mounting bracket. Free the headlight power cable from any cable guides or tie-downs on the wheelchair suspension arm to ensure there is enough slack in the headlight power cable.

At the end of this step you should have two headlight modules (left and right) with no screws or brackets attached.



# HEADLIGHT INSTALLATION GUIDE

PERMOBIL F3 / F5

## STEP 2 - INSTALL HEADLIGHTS ONTO NEW BRACKETS

### Tools Required

Philips P1 Screwdriver

Headlight Mounting  
Brackets (A and B)

Cable Tie (C)

M4 x 6mm Screw (E)

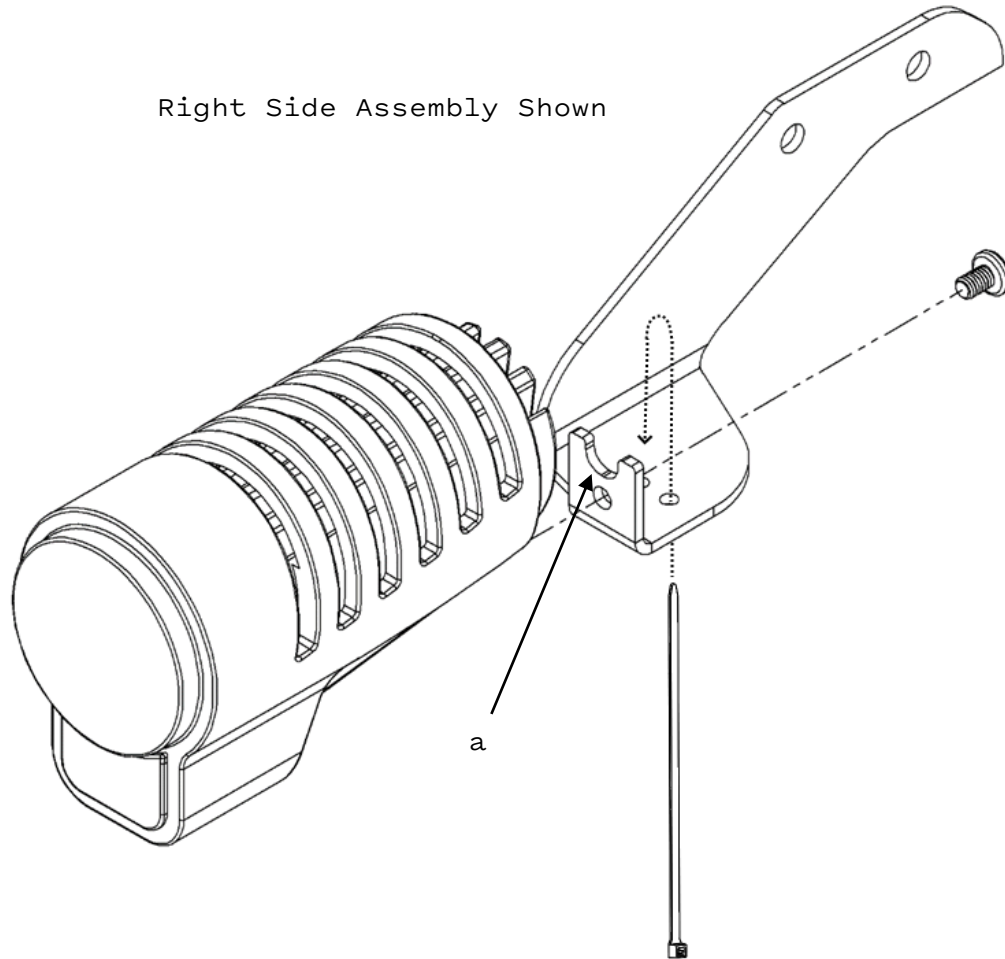
Hold the bracket up to the power cable so that the cable rests in the groove in the bracket's mounting face (a). Loop the cable tie (C) up through the outside hole and around the cable, then down through the inner hole as shown, then close the cable tie but do not tighten it yet.

Install the headlight onto the new bracket using the M4 x 6mm screw (E).

After tightening the headlight to the bracket, tighten the cable tie to secure the headlight power cable. Trim excess length of cable tie.

Repeat procedure for the other headlight.

Right Side Assembly Shown





# HEADLIGHT INSTALLATION GUIDE

PERMOBIL F3 / F5

## STEP 3 – INSTALL BRACKET ASSEMBLY ONTO SMART FRAME

### Tools Required

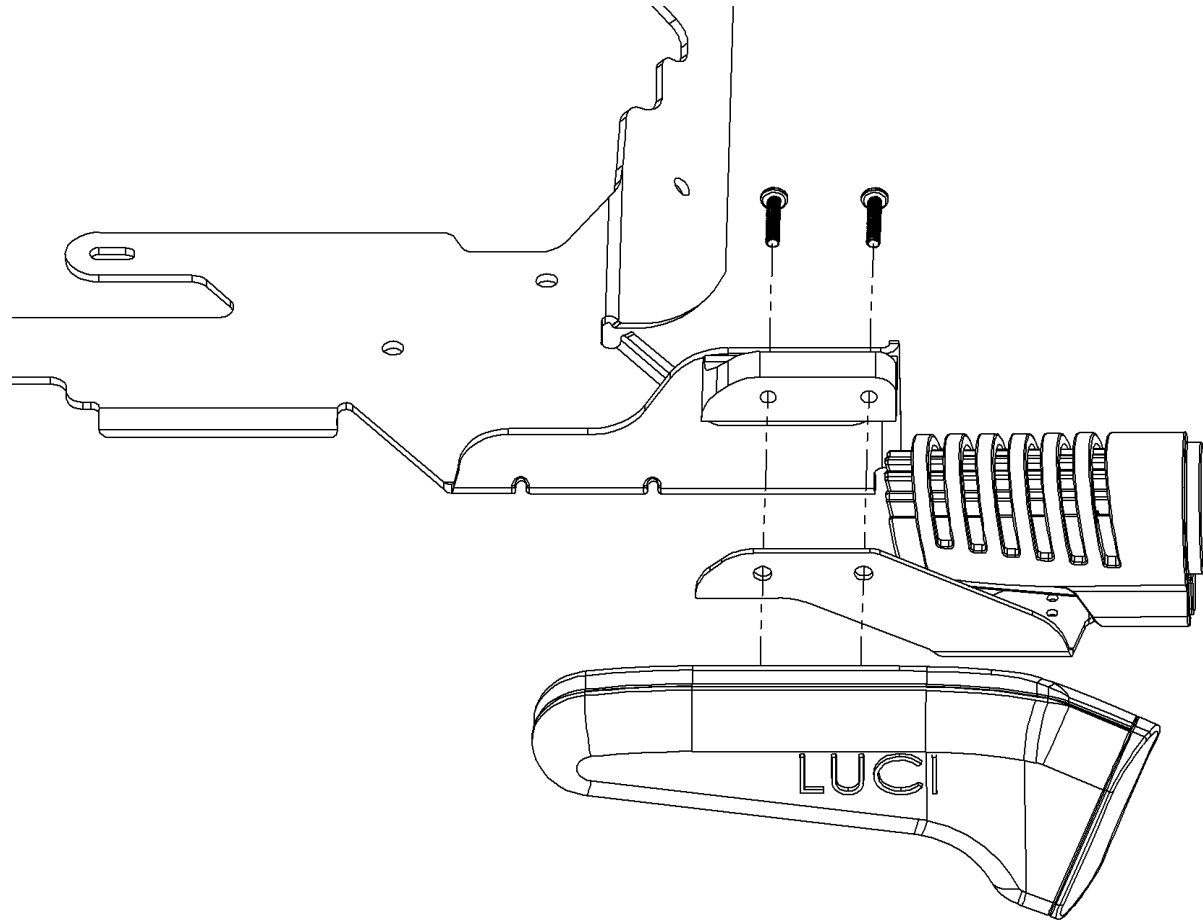
Philips P1 Screwdriver

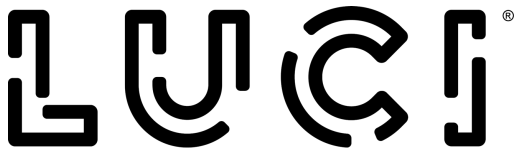
M4 x 20mm Screw (D)

Raise or tilt the seating assembly to make the mounting screws easier to access. Remove the two screws holding the front Fusion Sensor Pod to the Smart Frame. **NOTE:** These screws may be difficult to remove due to thread locking compound so be careful not to strip the screw heads.

Loosely mount the bracket assembly between the smart frame and sensor pod. **For the F3, use the included M4 x 20 screws (D). For the F5, reuse the original screws.** We recommend using a small amount of thread lock compound on these screws.

Repeat the process on the other side of the chair.





# HEADLIGHT INSTALLATION GUIDE

PERMOBIL F3 / F5

## STEP 4 - HEADLIGHT ALIGNMENT

### Tools Required

Philips P1 Screwdriver

Mini Spirit Level (F)

The front Fusion Sensor Pod must be level for proper operation of the LUCI™ system. To properly level the front Fusion Sensor Pod, this installation kit includes a miniature spirit level (F).

With the mounting screws tight enough to hold the assembly in place but loose enough to allow you to rotate the housing, place the spirit level along the seam of the housing directly above the LUCI logo. Gently rotate the housing until the bubble is centered between the lines on the level body. After each adjustment, release the pod completely and check the position of the bubble. It is important that the bubble is centered without any force applied to the pod.

Once the bubble is centered, tighten the mounting screws. Repeat the process for the other side.

